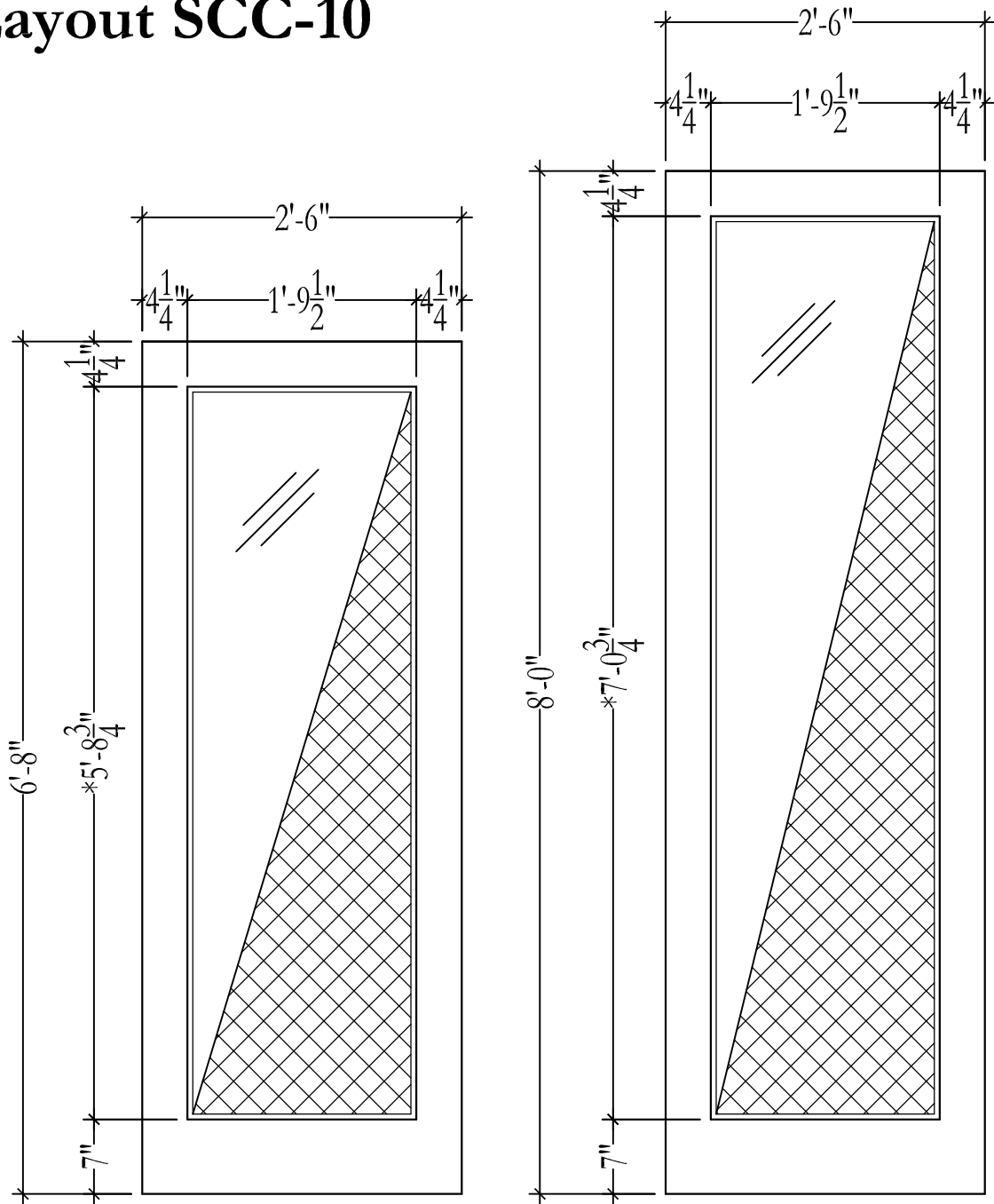


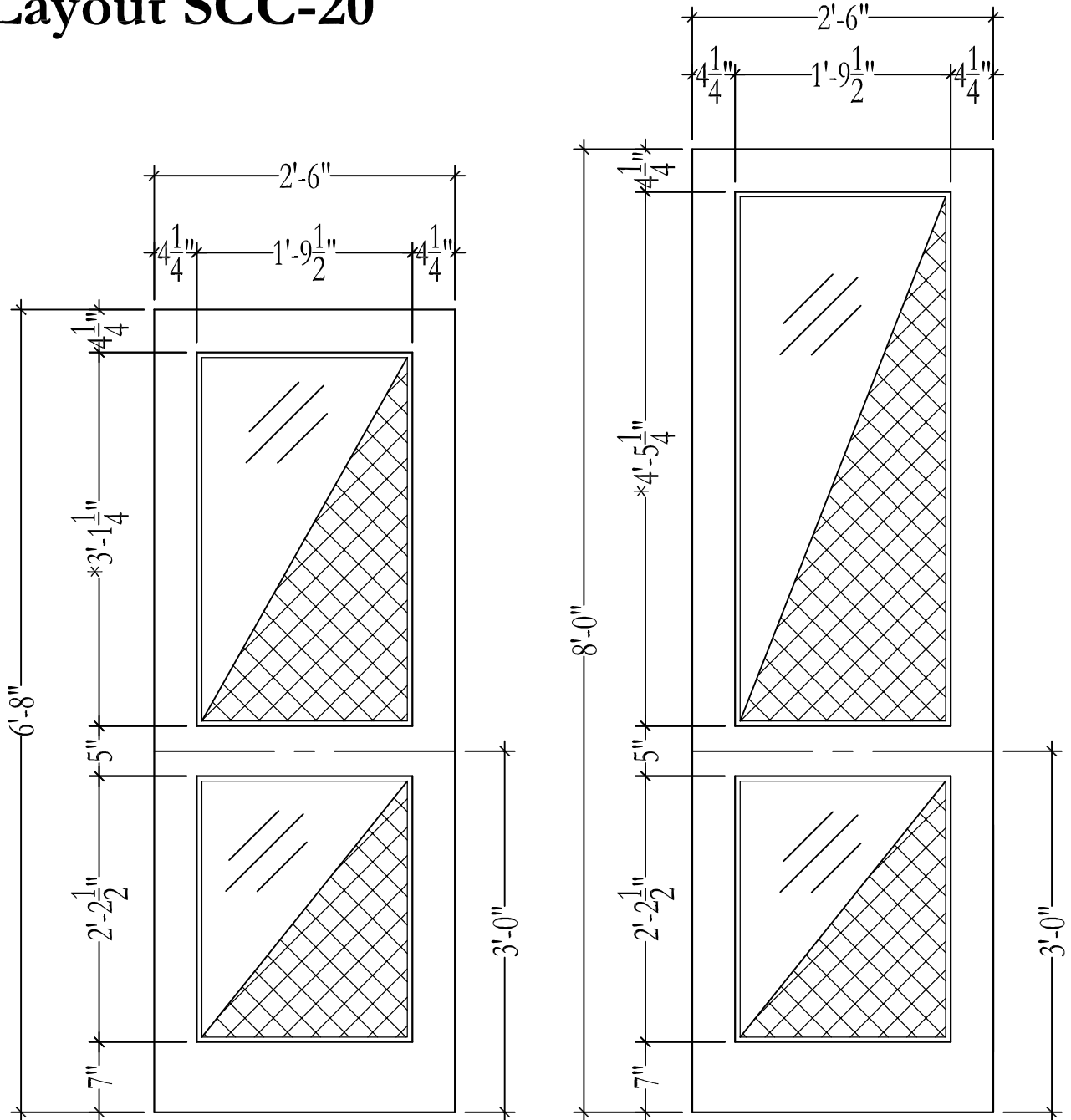
## Layout SCC-10



**Note: On flat dimensions can be altered to meet your needs**

\* = Varies with change in door height

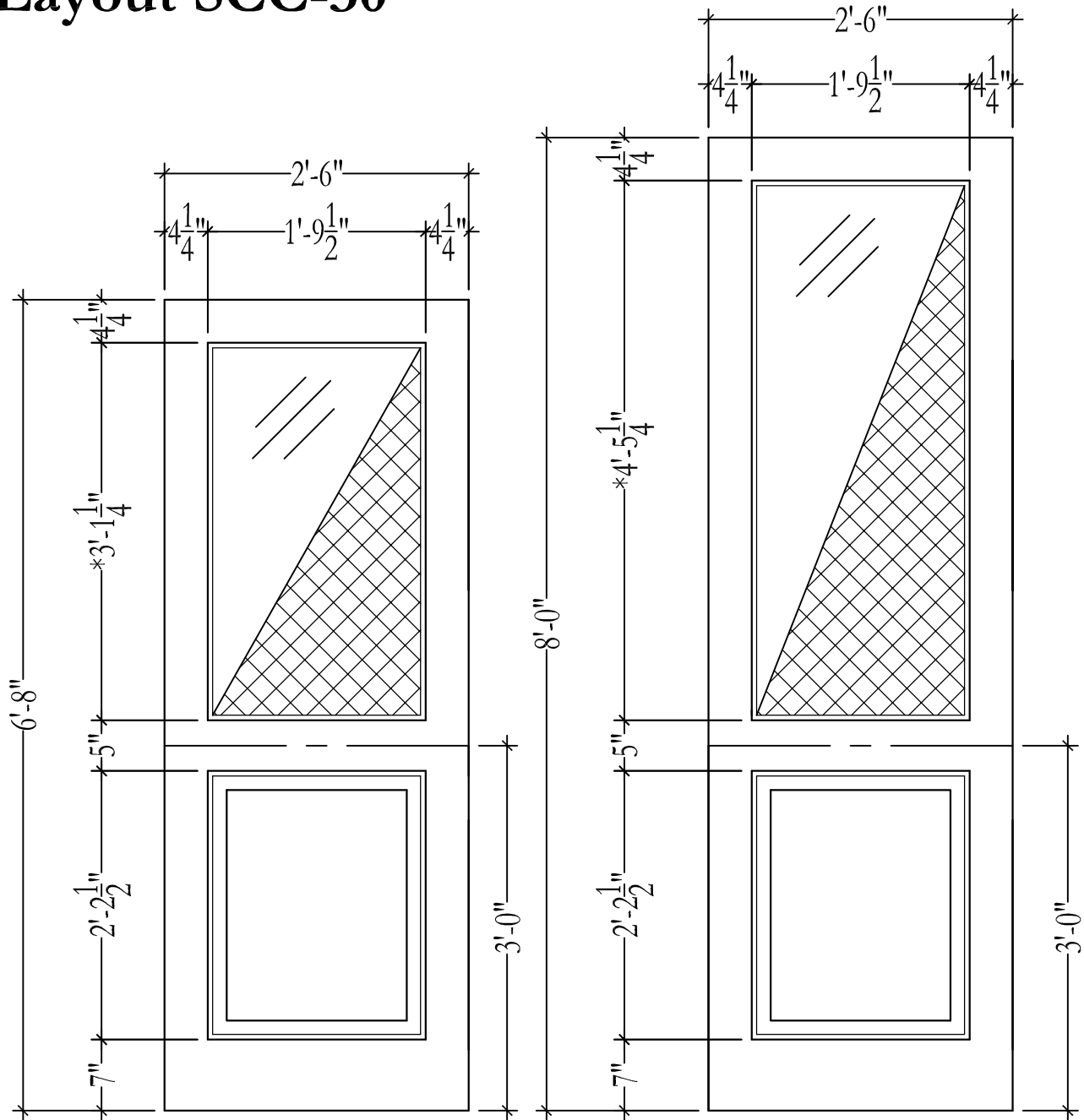
## Layout SCC-20



**Note: On flat dimensions can be altered to meet your needs**

\* = Varies with change in door height

### Layout SCC-30

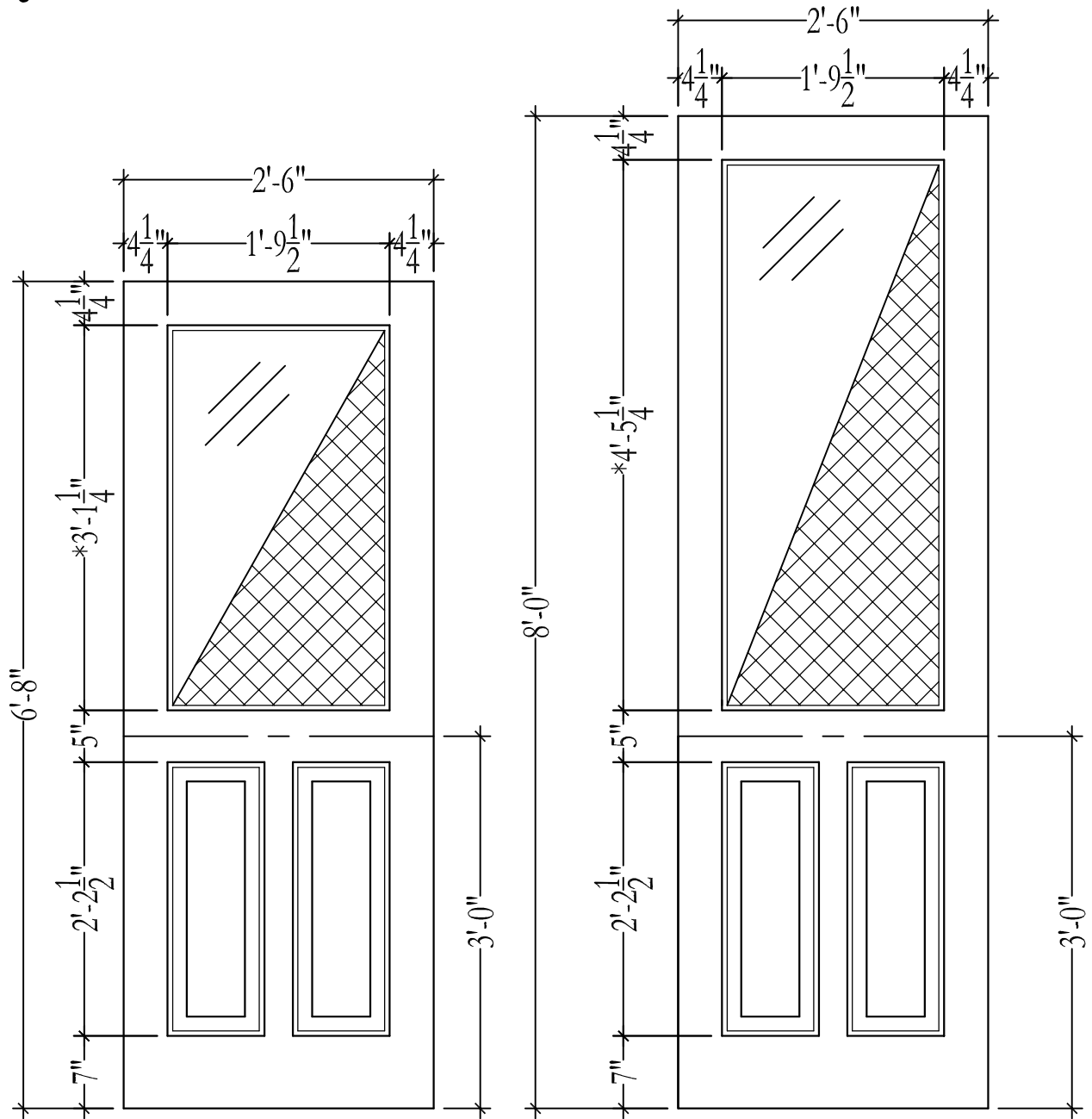


**Note: On flat dimensions can be altered to meet your needs**

\* = Varies with change in door height

**SCC-30**

### Layout SCC-40



**Note: On flat dimensions can be altered to meet your needs**

\* = Varies with change in door height