



# UPSTATE DOOR

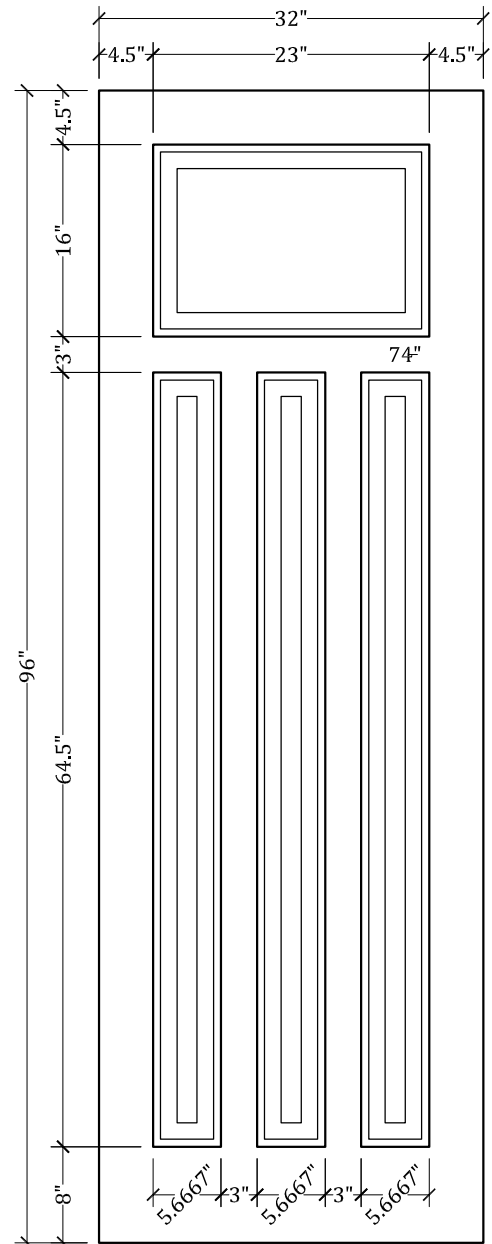
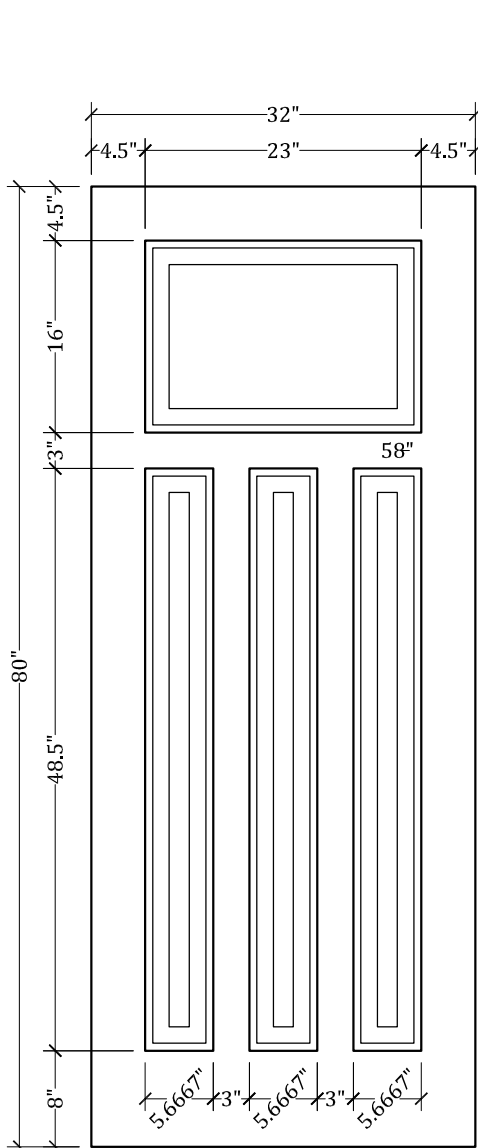
FINE DOOR SOLUTIONS... ONE SOURCE

*Layout 1560 Four Panel  
(Square Top/Square Panel)*

*Minimum Width Available is 32" for this Layout*

*Distinctive Exterior Standard Stiles/Top Rail Are 5-1/2"*

*Please View Our Specification Section to View Our Sizing Parameters  
for Our Classics Line.*



1-800-570-8283

sales@upstatedoor.com

www.upstatedoor.com