



# UPSTATE DOOR

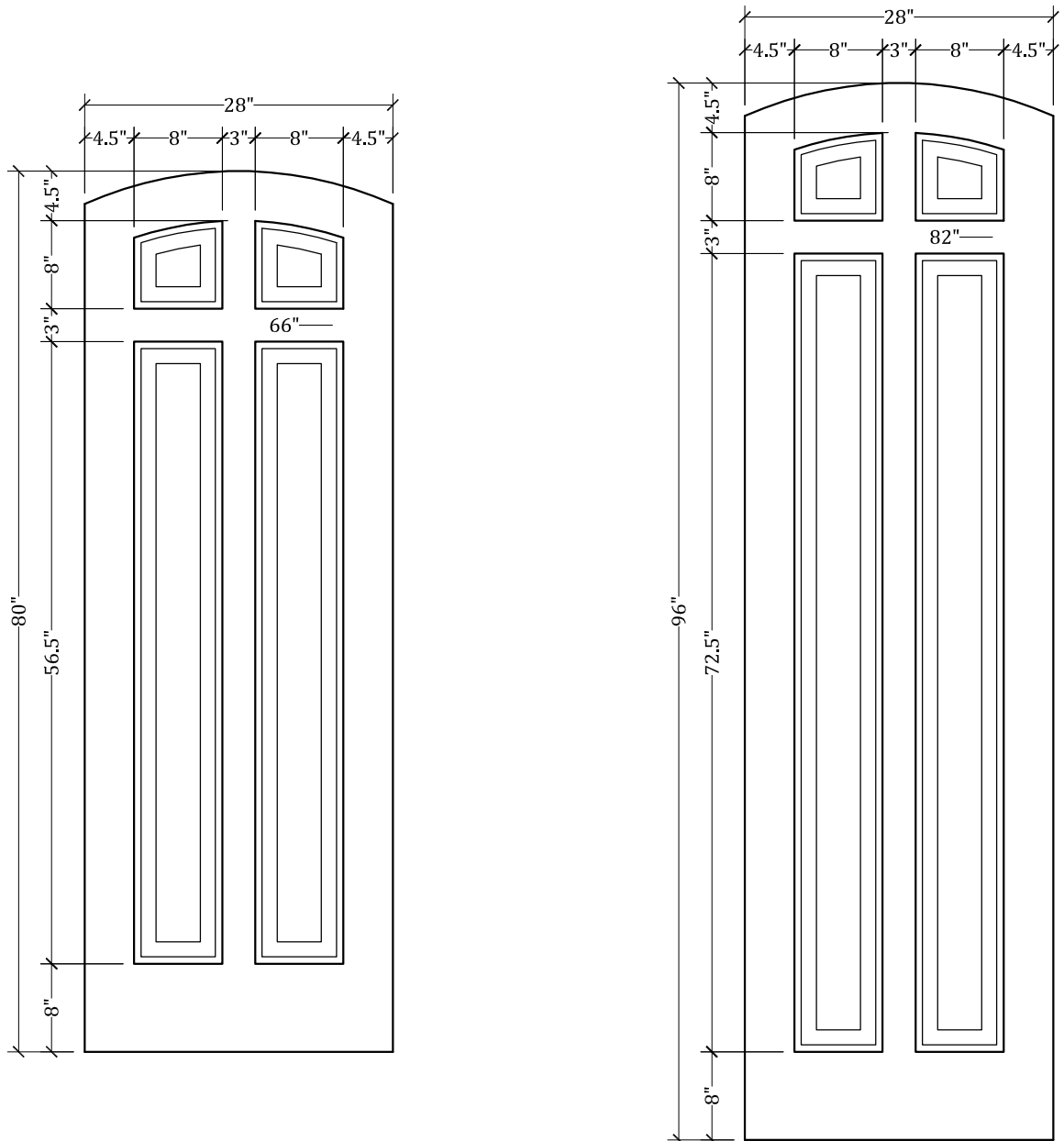
FINE DOOR SOLUTIONS... ONE SOURCE

*Layout 1390.2 Four Panel  
(Arched Top/Arched Panel)*

*Minimum Width Available is 24" for this Layout*

*Distinctive Exterior Standard Stiles/Top Rail Are 5-1/2"*

*Please View Our Specification Section to View Our Sizing Parameters  
for Our Classics Line.*



For more assistance, please contact one of our customer service representatives  
1-800-570-8283

[sales@upstatedoor.com](mailto:sales@upstatedoor.com)

[www.upstatedoor.com](http://www.upstatedoor.com)