



UPSTATE DOOR

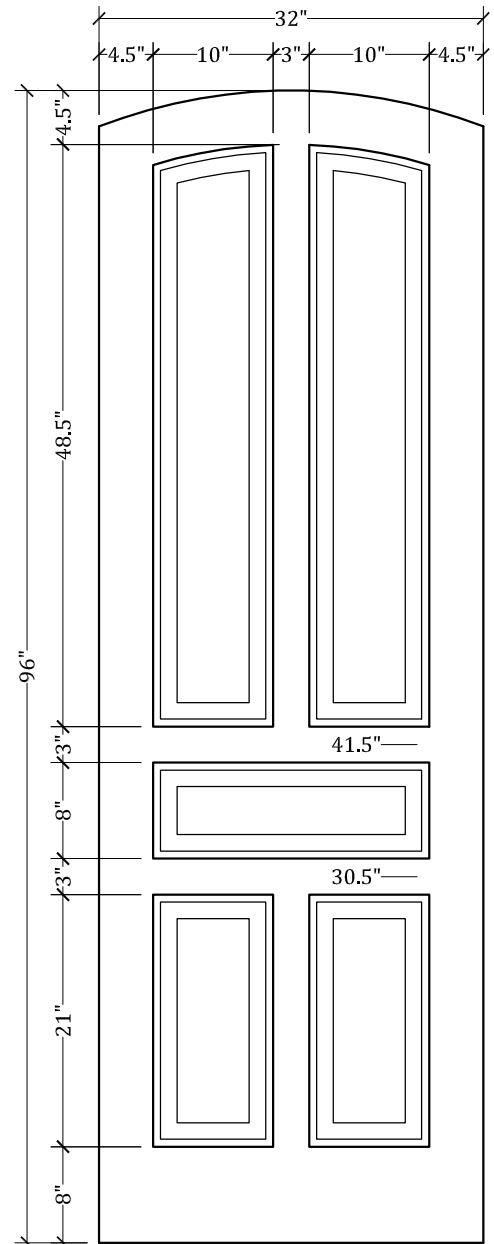
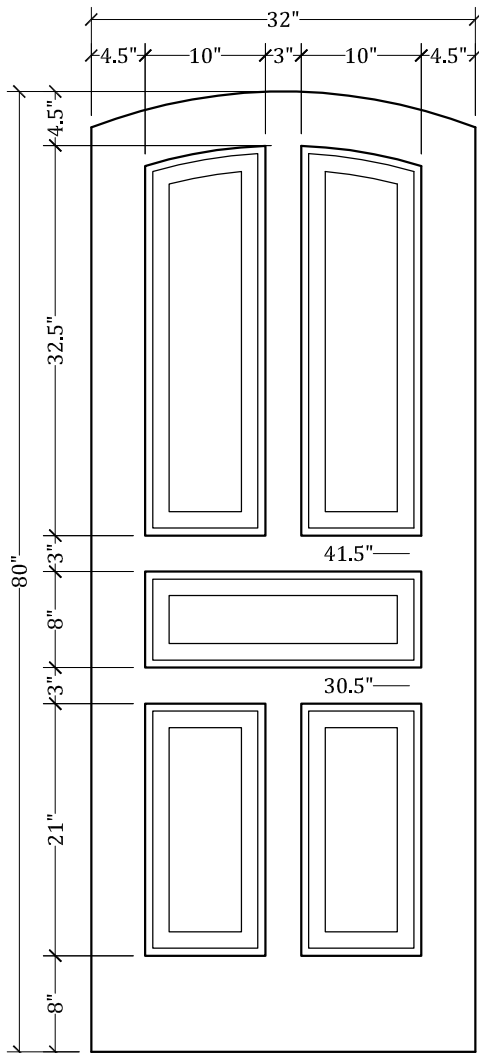
FINE DOOR SOLUTIONS... ONE SOURCE

*Layout 1400.2 Five Panel
(Arched Top/Arched Panel)*

Minimum Width Available is 24" for this Layout

Distinctive Exterior Standard Stiles/Top Rail Are 5-1/2"

*Please View Our Specification Section to View Our Sizing Parameters
for Our Classics Line.*



For more assistance, please contact one of our customer service representatives
1-800-570-8283

sales@upstatedoor.com

www.upstatedoor.com