



UPSTATE DOOR

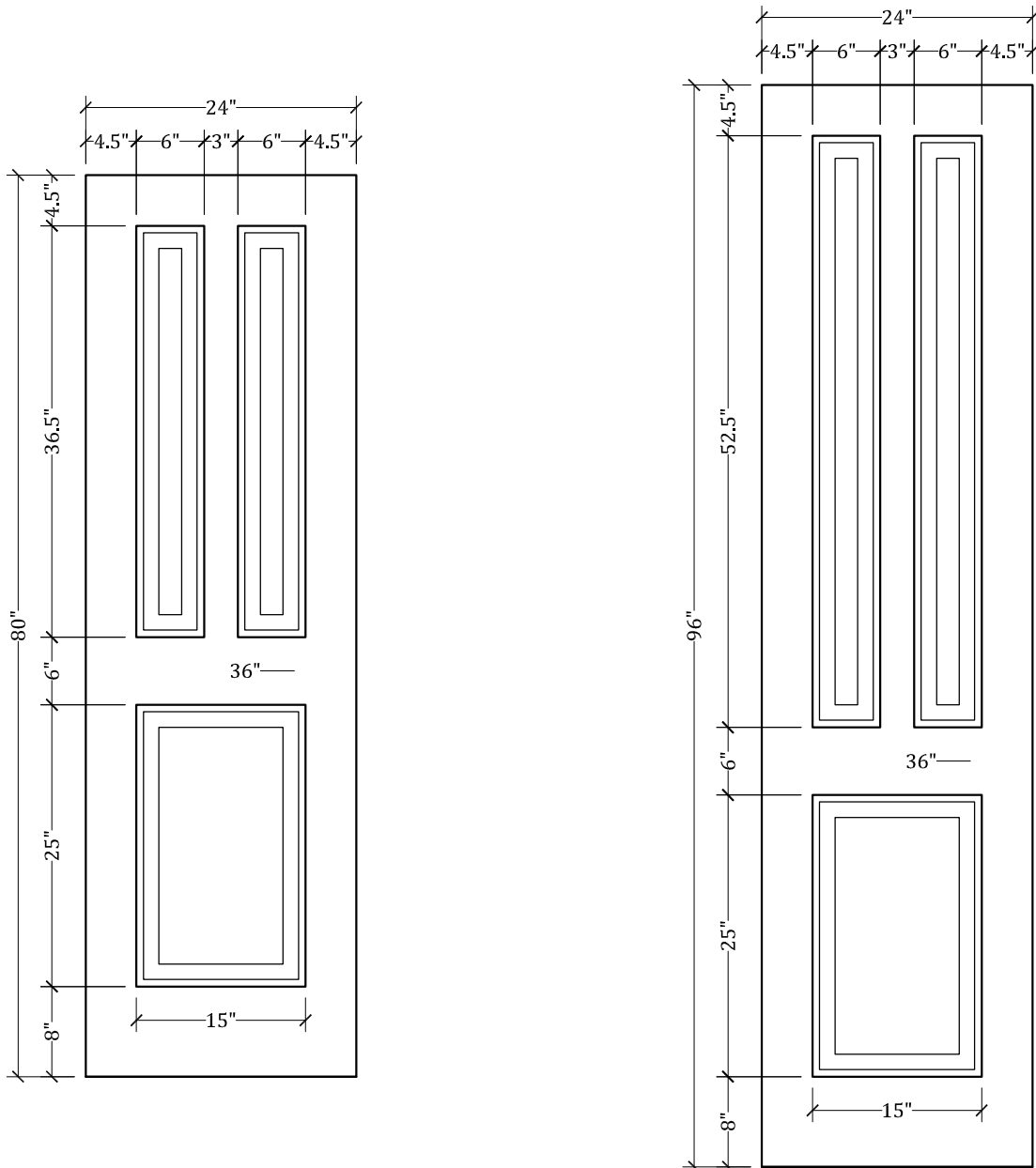
FINE DOOR SOLUTIONS... ONE SOURCE

*Layout 1190 Three Panel
(Square Top/Square Panel)*

Minimum Width Available is 24" for this Layout

Distinctive Exterior Standard Stiles/Top Rail Are 5-1/2"

*Please View Our Specification Section to View Our Sizing Parameters
for Our Classics Line.*



1-800-570-8283

For more assistance, please contact one of our customer service representatives
sales@upstatedoor.com

www.upstatedoor.com